

### Description & Features

- Available in 4.5" (110mm) or 6" (150mm) scales
- Offers ruggedness and durability in harsh industrial environments
- Brass socket 1/2" NPT is standard (stainless steel optional)
- Available in either a straight model (bottom connection) or 90° angle model (back connection)

### Applications

- Heating, plumbing, air conditioning and ventilation applications

### Specifications

#### Body

4.5"(110mm), 6"(150mm)aluminum, anodized gold

#### Scale

Aluminum, Black markings

#### Tube

Class cushioned

#### Liquid Filling

Organic liquid (red)

#### Stem

Brass, standard (Stainless steel option)

#### Connection

1/2" NPT, (1/2" BSP optional)



#### Swivel Nut

Brass, standard  
(stainless steel optional; swivel and stem one unit)

#### Ambient Temperature

-40°F-400°F (-40°C-200°C)

#### Accuracy

±2.0% of full scale

#### Operating Temperature

Maximum 80% of full scale value recommended

#### Protection

IP 65

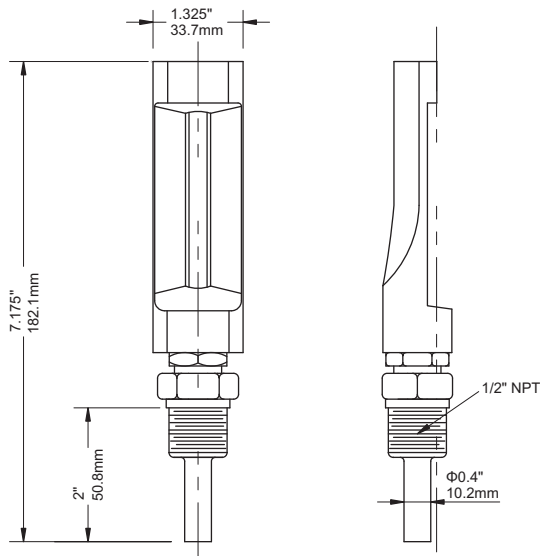
#### Option

304 stainless steel thermowell

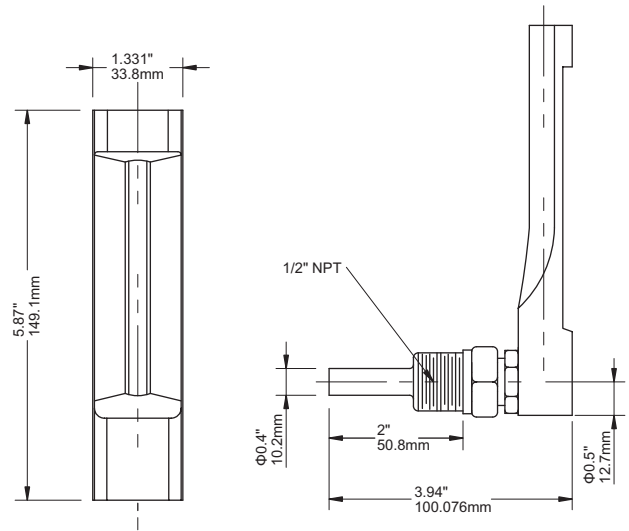
# TAG HVAC Gold Case Thermometers

## Dimensions

### 4.5" Straight



### 6" Angled



## Ordering Code TAG Series

Field No.	Code	Specifications
1.	TAG	Series
		Scale Size
2.	45	4.5" (115mm)
	60	6" (150mm)
		Configuration
3.	H	Angle
	A	Straight
		Stem Length
4.	0020	2"
	0025	2.5"
	0030	3"
	0040	4"
	0060	6"
	0080	8"
	0100	10"
		Stem Material
5.	B	Brass, standard
	T	304 stainless steel
	S	316 stainless steel
	L	316L stainless steel
		Process Connection Size
6.	2	1/2"
	Z	Special request
		Process Connection Thread
7.	N	NPT
	G	G
	P	BSPP
		Range F & C (Dual)
8.	B01	-40/110 °F (-40/40 °C)
	B02	20/180 °F (-5/80 °C)
	B03	30/240 °F (0/115 °C)
	B04	30/300 °F (0/150 °C)
	B05	50/400 °F (10/200 °C)