

Specific & performance

- All wetted parts are electro-polished accord to SEMI F19, Ra≤0.25μm
- 100% Helium leak tested and packed in class 100 clean room
- Class A accuracy per ASME B40.1
- VCR® compatible pressure connection threads, include male and female



Applications

- OEM customer
- Semiconductor
- Solar PV
- Specialty Gas

Specifications

Performance specifications

Accuracy	Class B	1.5" dial size
	Class A	2" dial size
Pressure range	0...15psi - 0...6000psi (include vacuum)	
Pressure limitation	Steady: 3/4 time of FS	
	Fluctuating: 2/3 time of FS	
	Short time: FS	
Dial size	1.5" or 2"	
Thermal drift	Max 0.4%FS/10°C (reference at 20°C)	
Helium leakage rate	<1*10 ⁻⁹ mbar L/S	

Environmental specifications

Ambient temperature	-40 ... +60 °C
Medial temperature	-40 ... +100°C
Storage temperature	-20 ... +50 °C
Ingress protection	IP54 (EN 60529)
Ambient humidity	<85 % RH, non-condensating

Material specifications

Socket	316LSS
Bourdon tube	316LSS
Case	304SS, electro-polished
Ring	PC
Glass	PC
Movement	304SS
Process connection	9/16"-18UNF(1/4"VCR) male or female
Wetted Roughness	Ra≤0.25μm (socket)
	Ra≤0.3μm (welding parts)
Mounting direction	Bottom or back

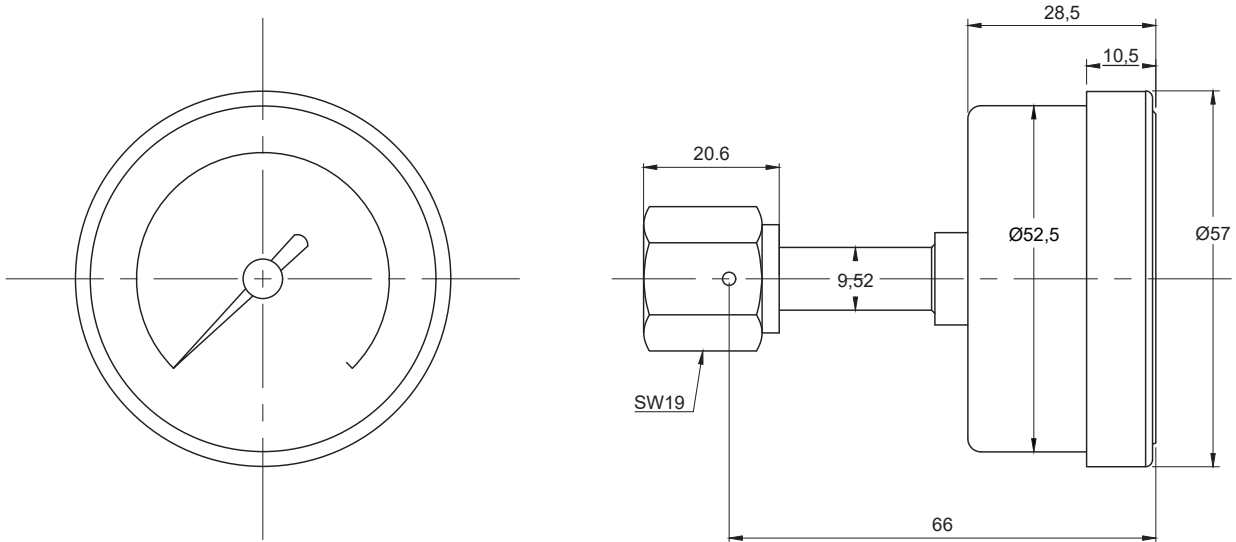
Reed contact (option)

Contact type	SPST
Max current	0.5A
Contact rating	10W
Max voltage	30VDC

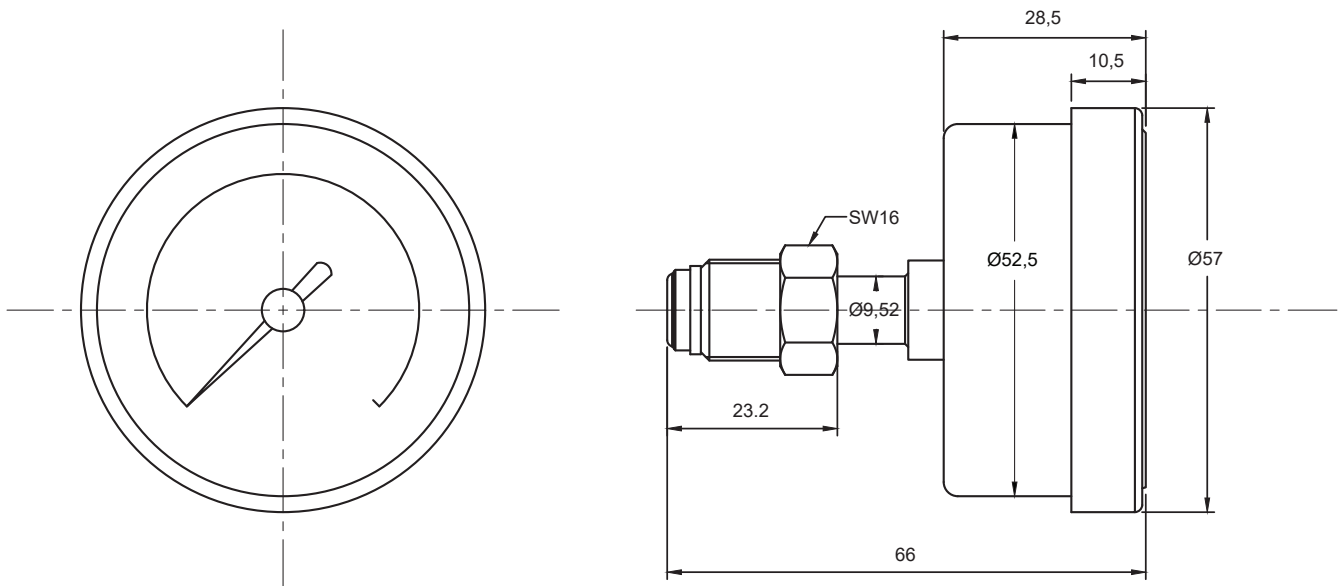
Standard range

bar, bar/psi	MPa, MPa/psi	kPa, kPa/psi	psi, psi/bar, psi/MPa, psi/kPa
-1-0	-0.1-0	-100-0	-30 " Hg-0
-1-0.6	-0.1-0.06	-100-60	-30 " Hg-0-15
-1-1.5	-0.1-0.15	-100-150	-30 " Hg-0-30
-1-3	-0.1-0.3	-100-300	-30 " Hg-0-60
-1-5	-0.1-0.5	-100-500	-30 " Hg-0-100
-1-9	-0.1-0.9	-100-900	-30 " Hg-0-150
-1-15	-0.1-1.5	-100-1500	-30 " Hg-0-300
-1-24	-0.1-2.4	-100-2400	0-15
0-1	0-0.1	0-100	0-30
0-1.6	0-0.16	0-160	0-60
0-2.5	0-0.25	0-250	0-100
0-4	0-0.4	0-400	0-160
0-6	0-0.6	0-600	0-200
0-10	0-1	0-1000	0-300
0-16	0-1.6	0-1600	0-600
0-25	0-2.5	0-2500	0-1000
0-40	0-4	0-4000	0-1500
0-60	0-6	0-6000	0-2000
0-100	0-10	0-10000	0-3000
0-160	0-16	0-16000	0-4000
0-250	0-25	0-25000	0-5000
0-400	0-40	0-40000	0-6000

Dimensions in mm

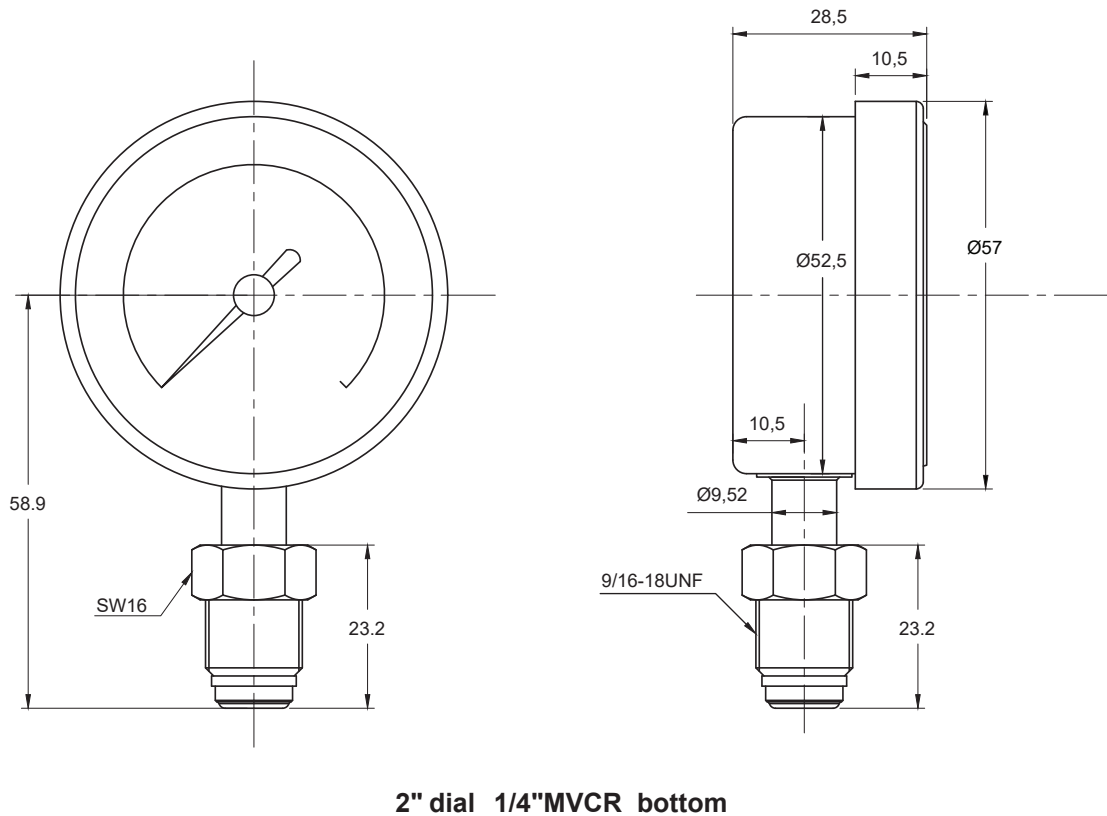
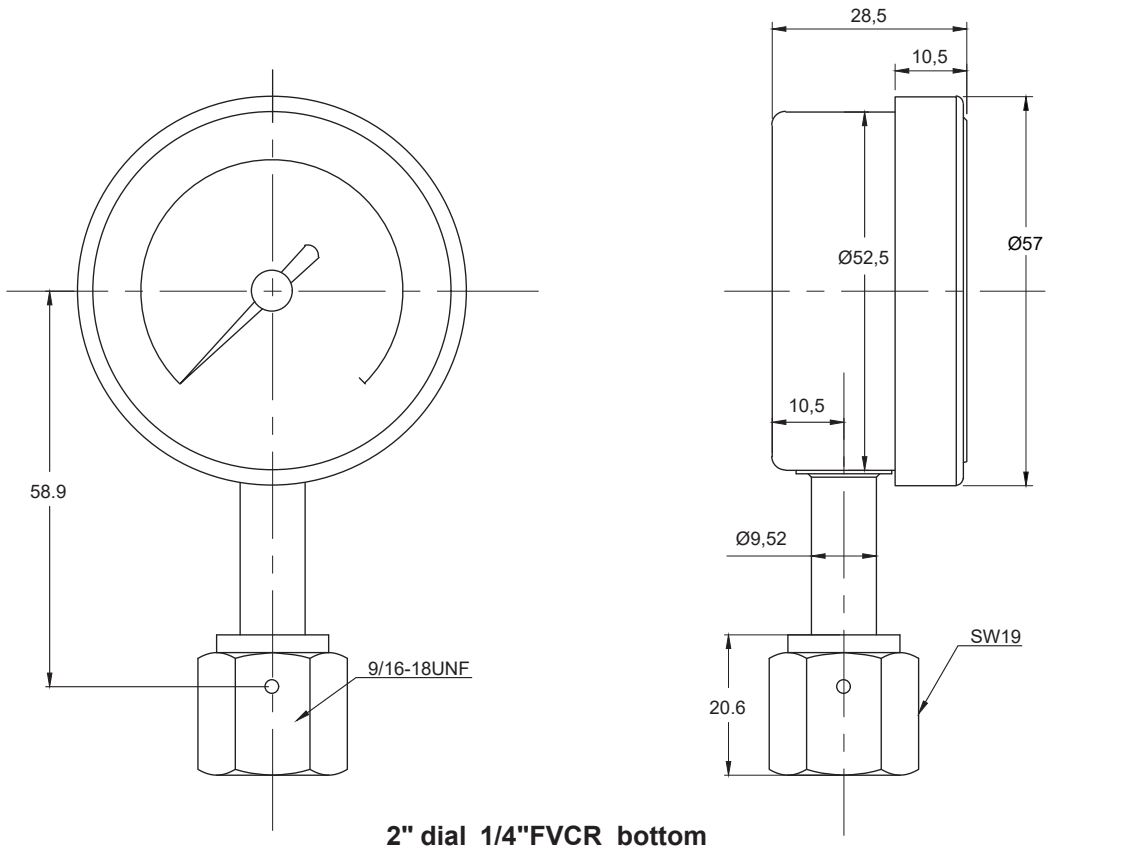


2" dial 1/4" FVCR back

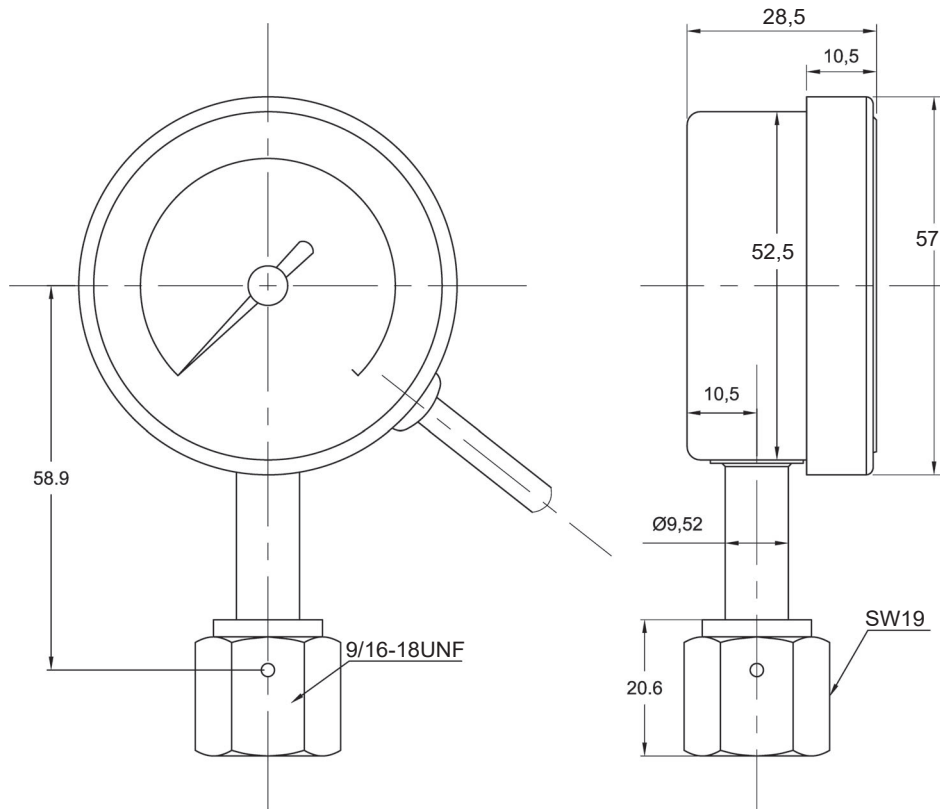


2" dial 1/4" MVCR back

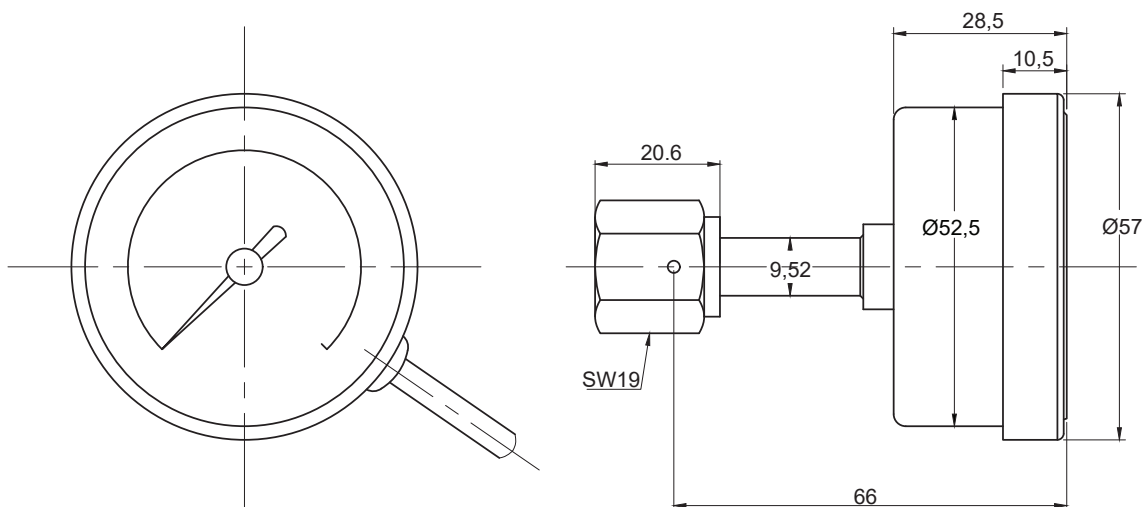
Dimensions in mm



Dimensions in mm

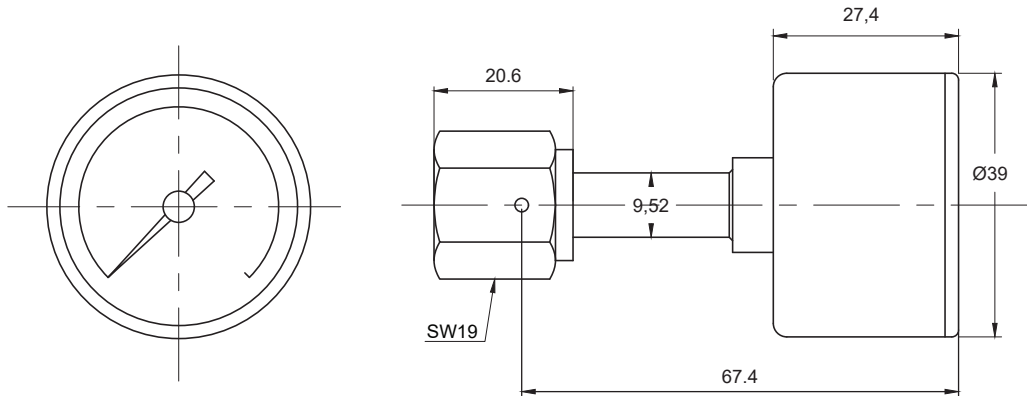


2" dial 1/4" FVCR bottom with reed contact

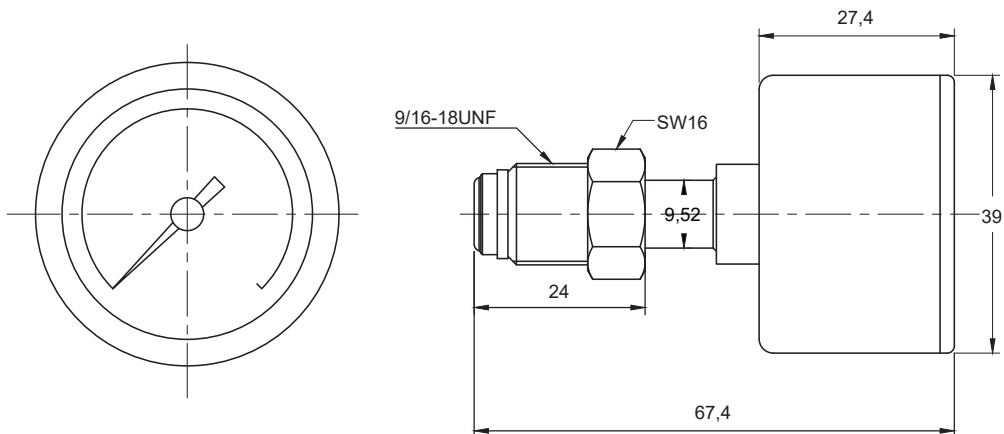


2" dial 1/4" FVCR back with reed contact

Dimensions in mm

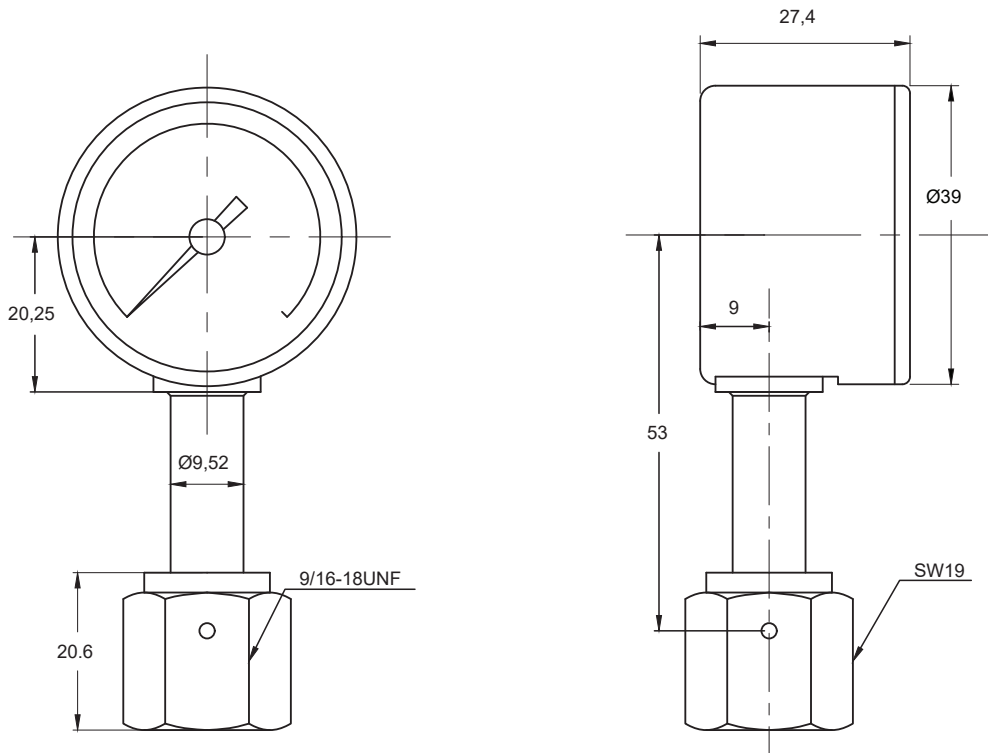


1.5" dial 1/4" FVCR back

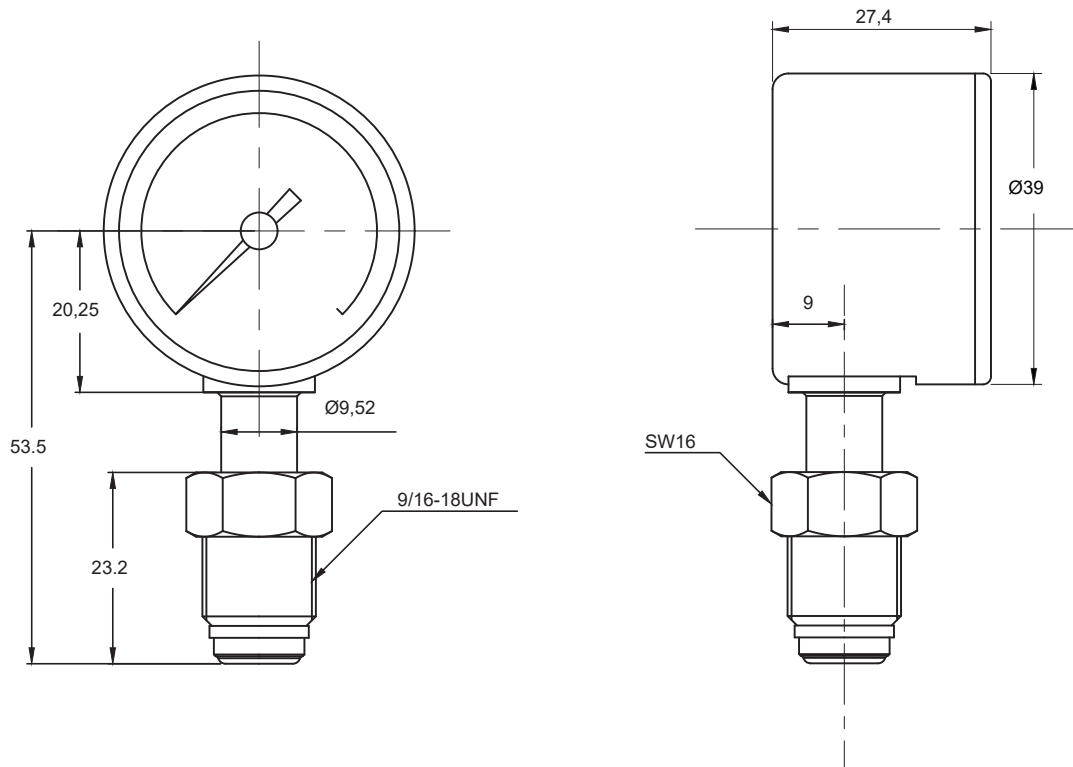


1.5" dial 1/4" MVCR back

Dimensions in mm



1.5" dial 1/4" FVCR bottom



1.5" dial 1/4" MVCR bottom

PUP ordering code

		Code	Specifications
1.	<input type="text"/>	PUP	Series
			Dial size
2.	<input type="text"/>	15	1.5" (40mm)
		20	2" (50mm)
			Mounting direction
3.	<input type="text"/>	1	Bottom
		2	Back
			Process connection
4.	<input type="text"/>	M	1/4"MVCR swivel
		F	1/4"FVCR swivel
			Pressure range
5.	<input type="text"/>	XXXXX	Refer standard range table
		Z	Customized
			Option
6.	<input type="text"/>	0	None
		S	With one reed contact